



A DIVISION OF SUNRISE WINDOWS, LTD.

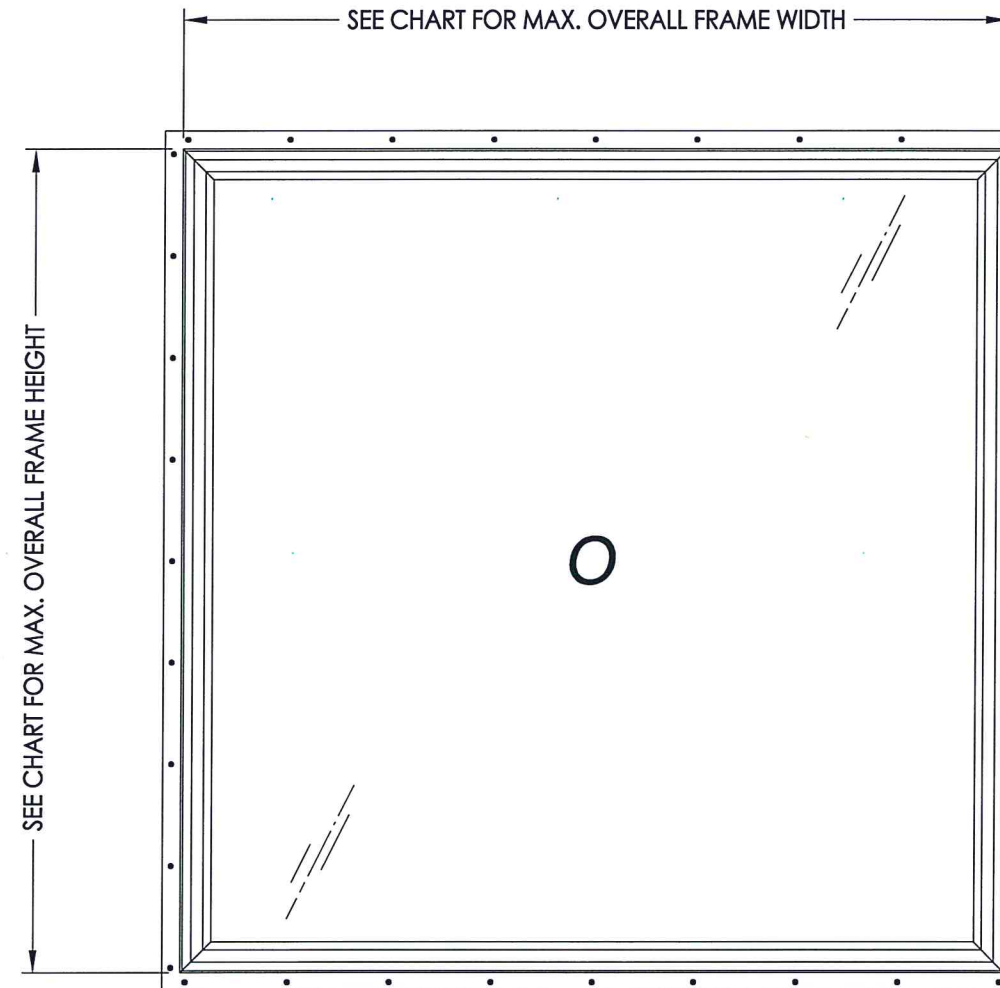
# Fixed Window w/ Nailing Fin "NON-IMPACT"

### EVALUATED FOR USE IN THE STATE OF TEXAS

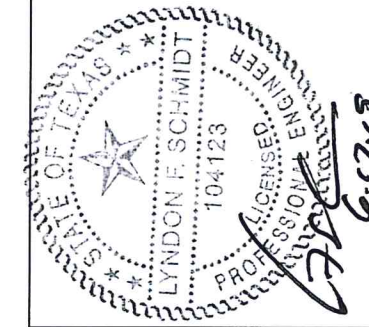
The Fixed Window described herein complies with the 2006 International Residential Code (IRC), Sections R301 & R613 and the 2006 International Building Code (IBC), Sections 1405.12, 1609, 1714.5, 2403 and 2404 (including Texas revisions) subject to the following conditions:

1. Anchors shall be as listed and spaced as shown in the details. Anchor embedment to base material shall be beyond wall dressing or stucco.
2. When used in areas requiring wind-borne debris protection this product is required to be protected with an impact resistant covering that complies with Section R301.2.1.2 of the IRC and Section 1609.1.2 of the IBC.
3. Allowable design pressure requirements must be equal to or less than the design pressure rating shown in the design pressure chart, sheet 1 of this drawing.
4. Conditions not covered by this drawing are subject to further engineering analysis.

TABLE OF CONTENTS	
SHEET #	DESCRIPTION
1	Typical Elevations, Design Pressures & General Notes
2	Frame Anchoring & Cross Section
3	Bill of Materials, Components & Glazing Details



MAX. OVERALL FIN DIMENSION	MAX. OVERALL FRAME DIMENSION	MAX DAY LITE DIMENSION	GLASS TYPE	DESIGN PRESSURE (PSF)	
				POS.	NEG.
59.14" X 59.14"	56.0" X 56.0"	50.625" x 50.625"	G1	+50.0	-50.0
75.14" X 75.14"	72.0" X 72.0"	66.5" x 66.5"	G2	+50.0	-50.0



Documents Prepared By: Lyndon F. Schmidt, P.E.  
TEXAS P.E. #104123

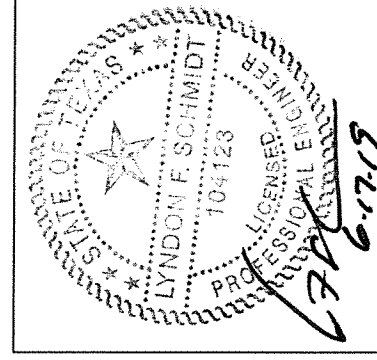
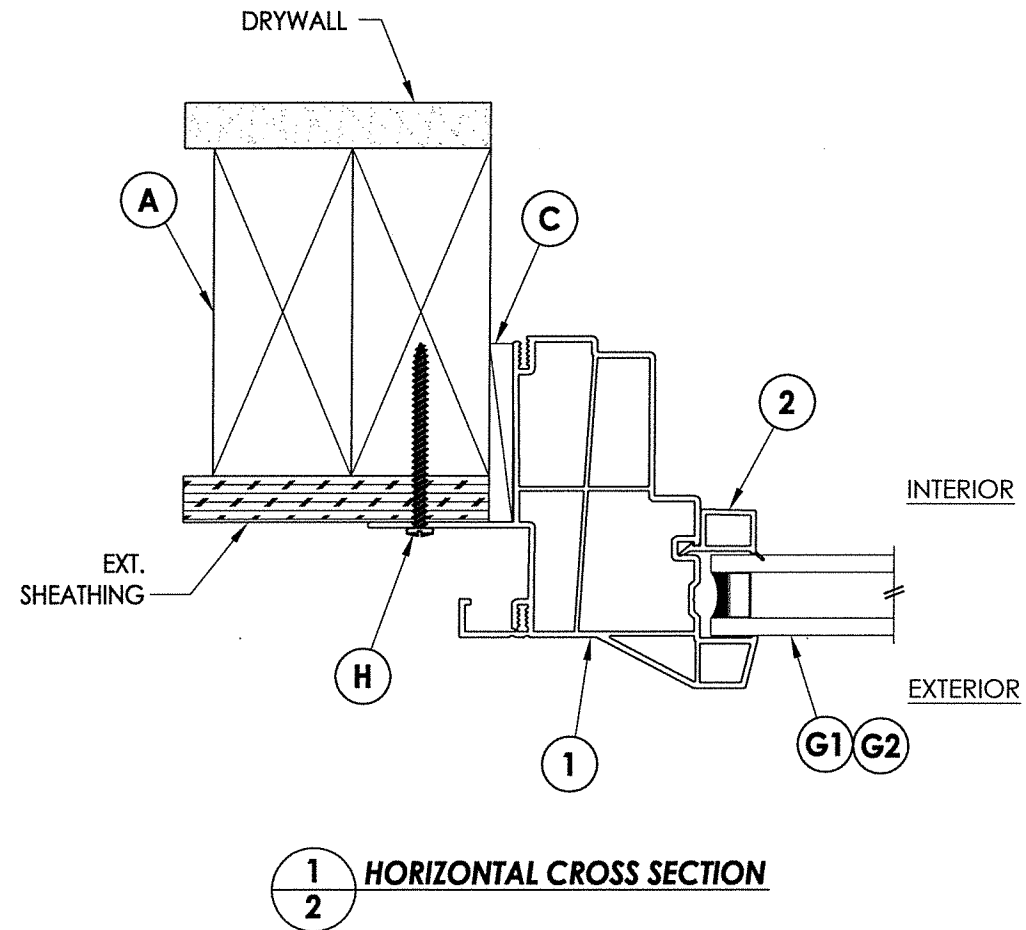
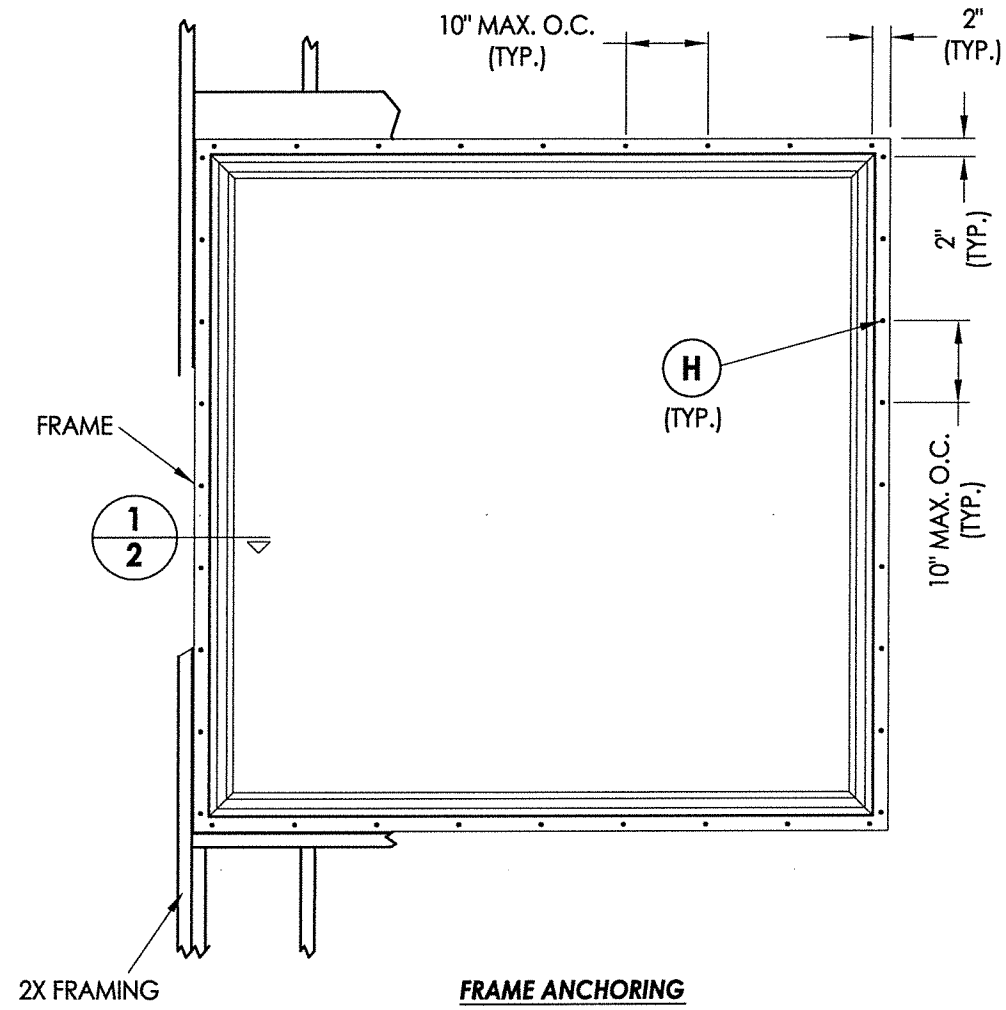
**RW** BUILDING CONSULTANTS, INC.  
P.O. Box 230 Valrico FL, 33595  
Phone No.: 813.659.9197

TEXAS BOARD OF PROFESSIONAL ENGINEERS  
CERTIFICATE OF REGISTRATION # F-11852

PRODUCT: FIXED WINDOW  
PART OR ASSEMBLY: TYPICAL ELEVATION, DESIGN PRESSURES & GENERAL NOTES

NO.	DATE	BY	REVISIONS

DATE: 5/13/19  
SCALE: N.T.S.  
DWG. BY: TRJ  
CHK. BY: LFS  
DRAWING NO.: TX-4864  
SHEET 1 OF 3



Documents Prepared By: Lyndon F. Schmidt, P.E.  
 TEXAS P.E. #104123

**RW** BUILDING CONSULTANTS, INC.  
 P.O. Box 230 Valrico FL 33595  
 Phone No.: 813.659.9197

TEXAS BOARD OF PROFESSIONAL ENGINEERS  
 CERTIFICATE OF REGISTRATION # F-11852

PRODUCT: FIXED WINDOW

PART OR ASSEMBLY: FRAME ANCHORING & CROSS SECTION

NO.	DATE	BY	REVISIONS

DATE: 5/13/19

SCALE: N.T.S.

DWG. BY: TRJ

CHK. BY: LFS

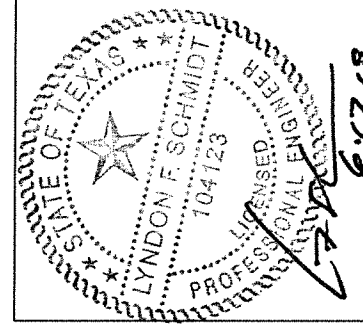
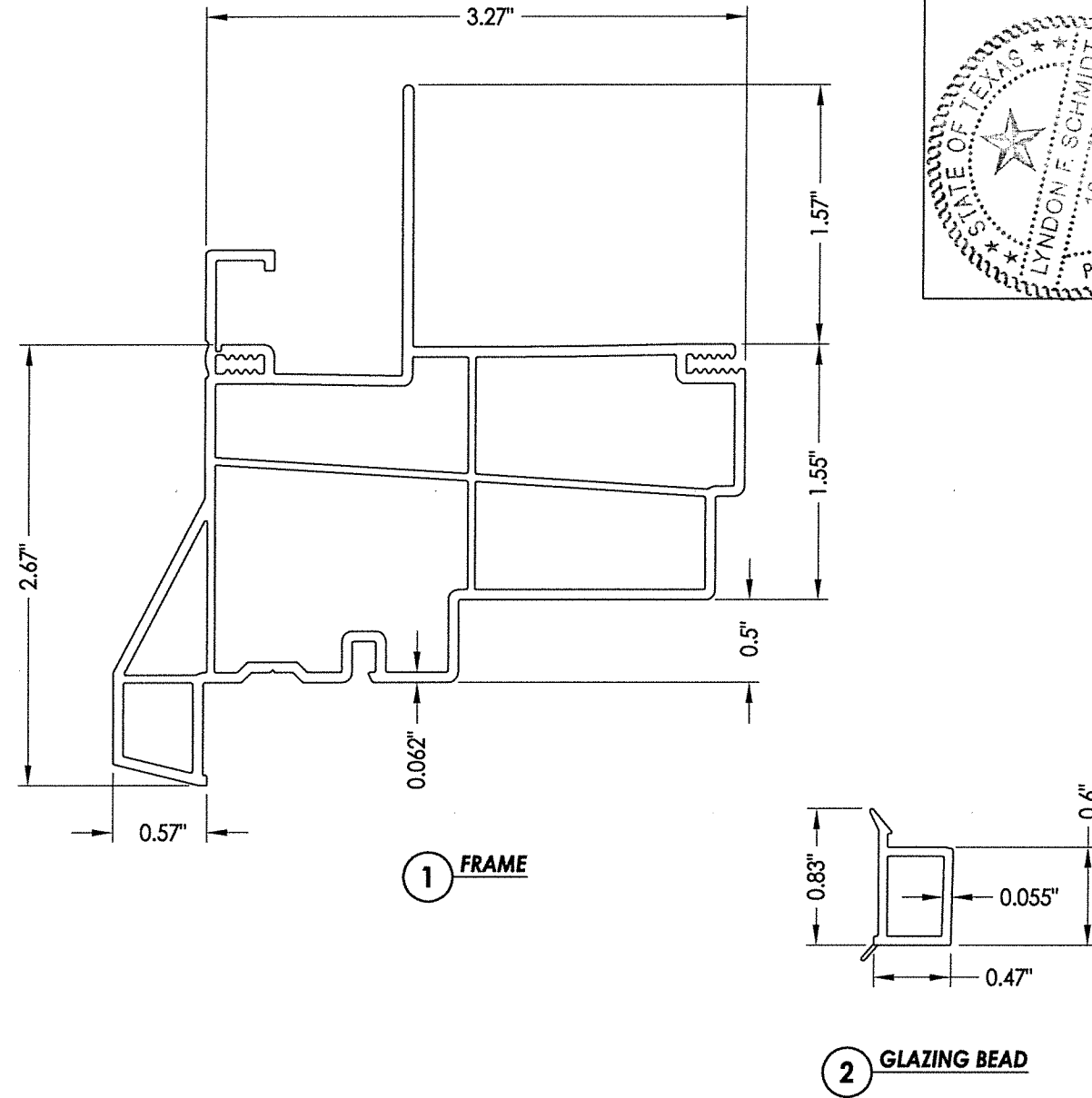
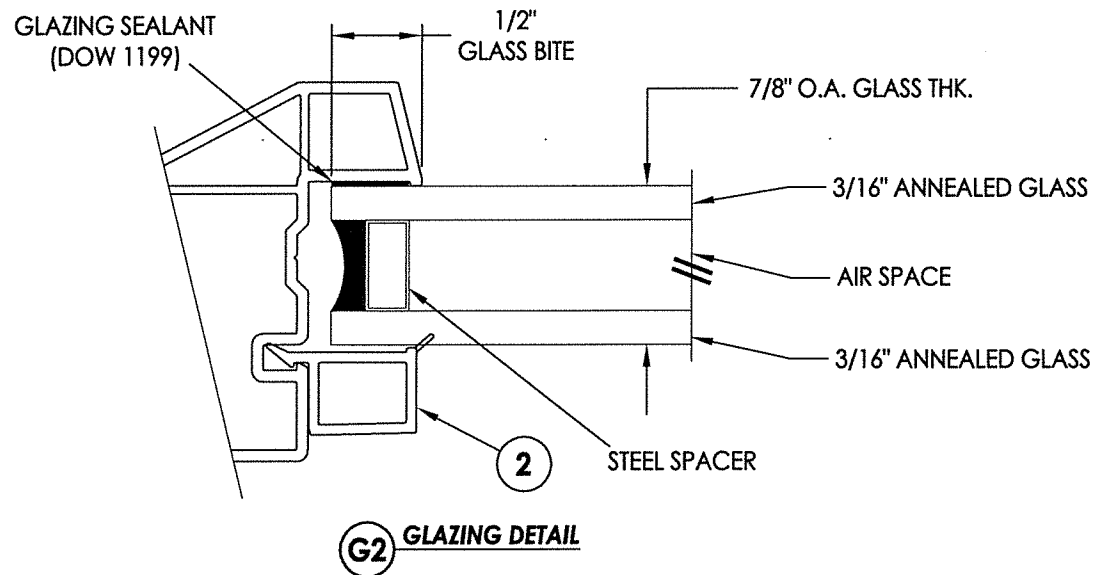
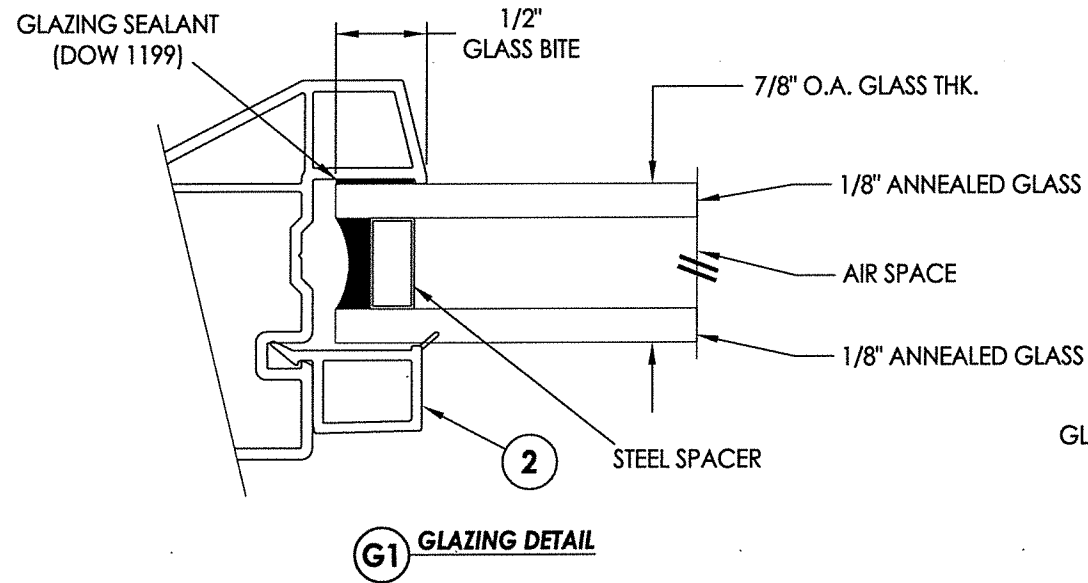
DRAWING NO.: TX-4864

SHEET 2 OF 3

R:\Clients\Sunrise Windows\B - Texas Dept of Ins\TDI - ID XXXX - 7050 C2 Fixed Window\C - Drawings\TX-4863-64.dwg, 3

BILL OF MATERIALS		
ITEM #	DESCRIPTION	MATERIAL
A	2X FRAMING (SG >= 0.42)	WOOD
C	1/8" MAX. SHIM SPACE	-
H	#8 X 1-3/4" PPH SMS (1-3/16" MIN. EMBEDMENT)	STEEL
1	EXTRUDED VINYL FRAME (781)*	RIGID PVC
2	EXTRUDED VINYL GLAZING BEAD (766A)*	RIGID PVC

\* THE APPROVED WHITE RIGID PVC EXTERIOR EXTRUSIONS FOR WINDOWS ARE TO BE PRODUCED BY EXTRUDERS LICENSEES IN "AAMA CERTIFICATION PROGRAMS FOR RIGID PVC EXTRUSIONS".



Documents Prepared By: Lyndon F. Schmidt, P.E.  
TEXAS P.E. #104123

**RW** BUILDING CONSULTANTS, INC.  
P.O. Box 230 Valrico FL 33595  
Phone No.: 813.659.9197

TEXAS BOARD OF PROFESSIONAL ENGINEERS  
CERTIFICATE OF REGISTRATION # F-11852

PRODUCT: FIXED WINDOW  
PART OR ASSEMBLY: BILL OF MATERIALS, COMPONENTS & GLAZING DETAILS

NO.	DATE	BY	REVISIONS

DATE: 5/13/19  
SCALE: N.T.S.  
DWG. BY: TRJ  
CHK. BY: LFS  
DRAWING NO.: TX-4864  
SHEET 3 OF 3